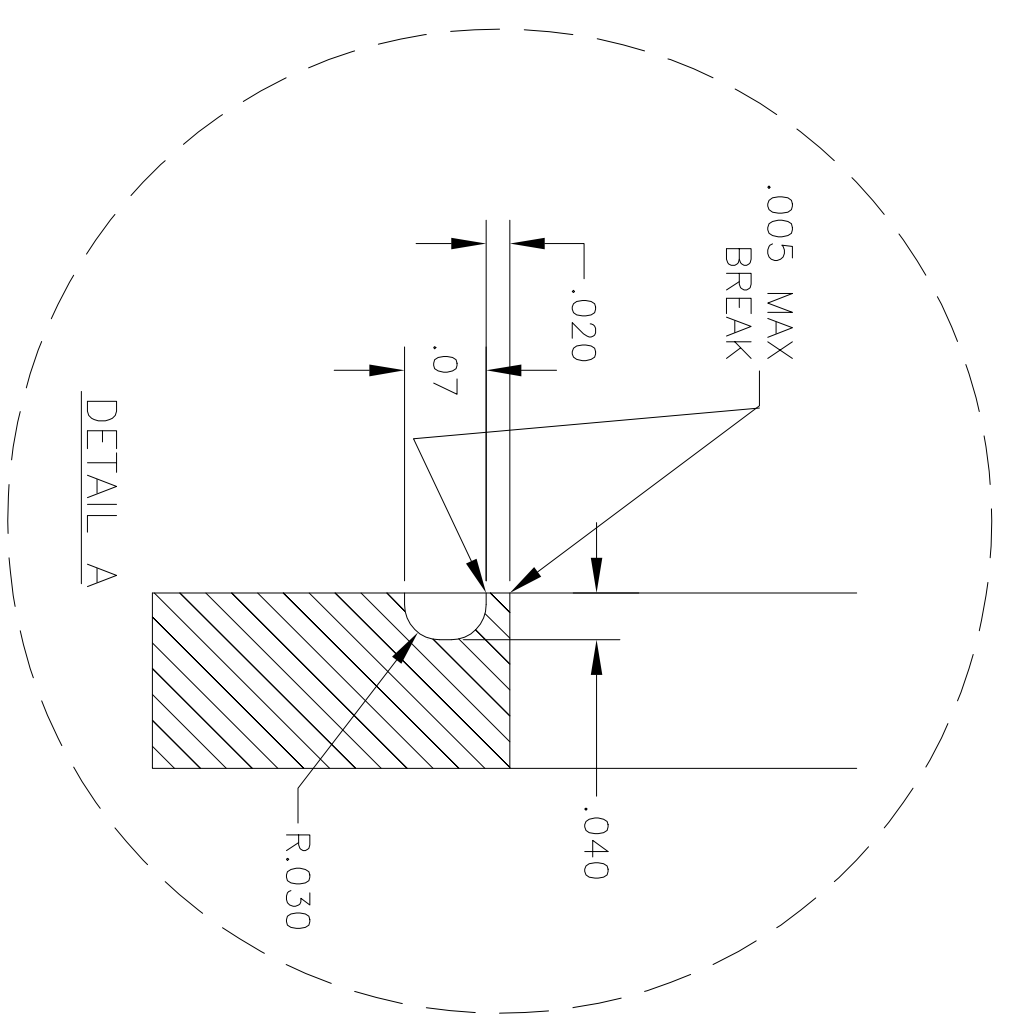
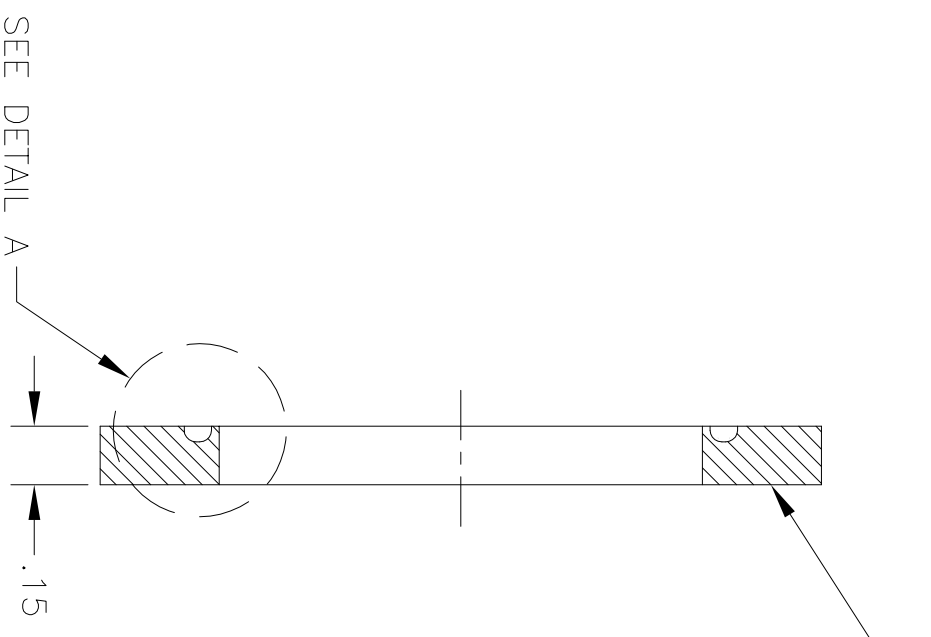
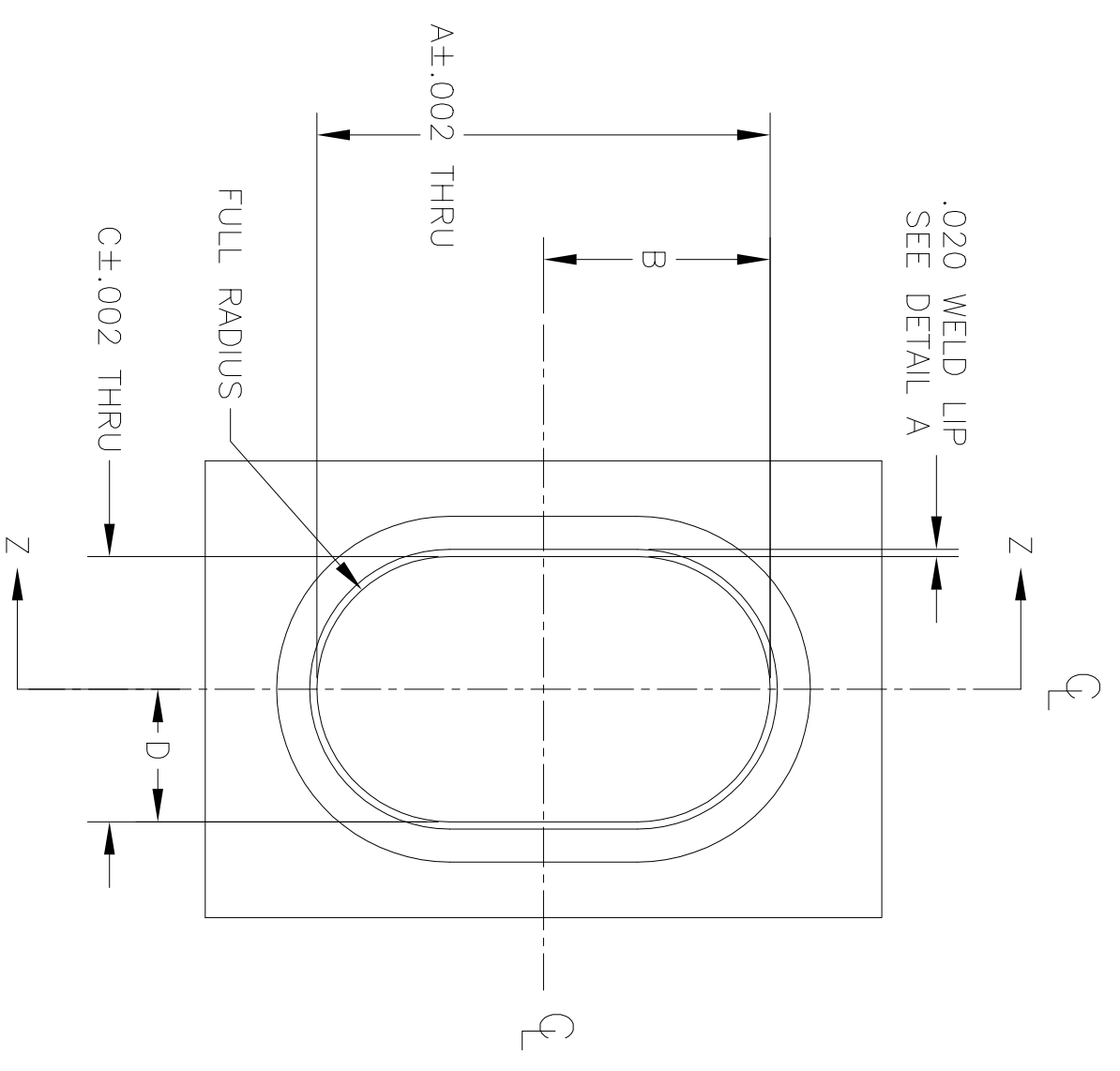


REV.	DESCRIPTION	APP'D	DATE



PART NUMBER	# PINS	A±.002	B	C±.002	D
16800-XX-W	9	1.239	.620	.725	.363
16801-XX-W	15	1.567	.784	.725	.363
16802-XX-W	25	2.107	1.054	.725	.363
16804-XX-W	50	2.743	1.372	.837	.418

SECTION Z-Z

DETAIL A

MATERIAL: TITLE: WELD PREP DETAIL

**CeramTec**  
CeramTec North America Corporation  
Ceramaseal Division

FINISH:	DO NOT SCALE DRAWING WORK TO DIMENSIONS ALL DIMENSIONS IN INCHES EXCEPT AS NOTED TOLERANCES APPLY UNLESS OTHERWISE SPECIFIED			SUPERSEDES:	DRAWN: OB	SCALE:	SIMILAR TO:
PLATING:	1 PLACE	2 PLACE	3 PLACE	ANGLES	CHECK: LC	DATE: 04/17/02	DRAWING No.
SPECIFICATION:	±.02	±.005	±2°	REF:	REF:	REF:	SUBDWELD2
USED ON:							REV.